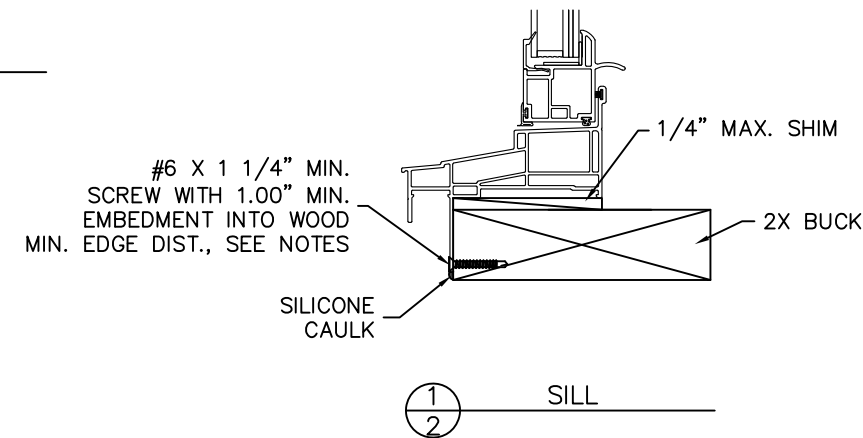
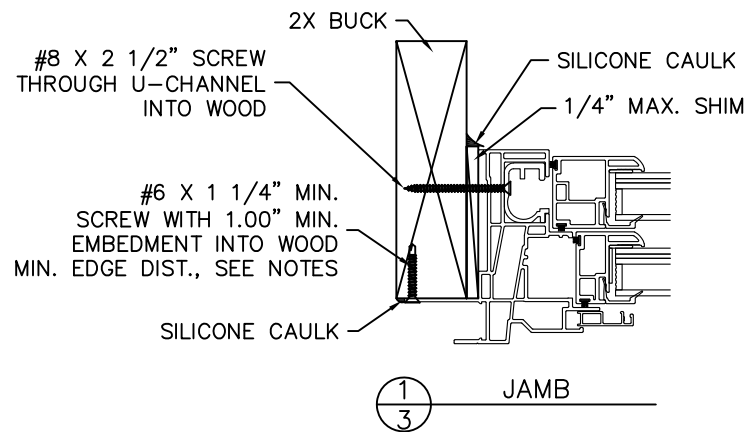
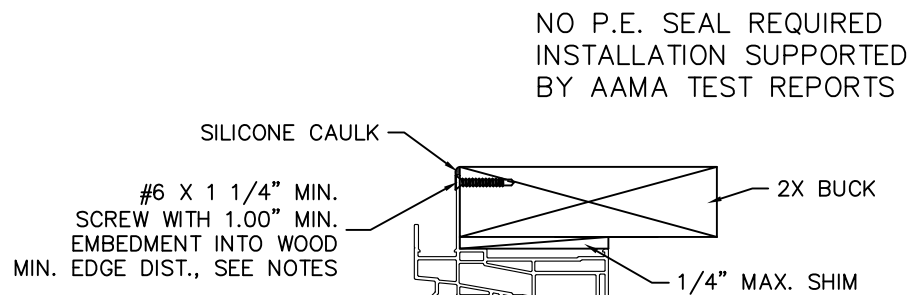
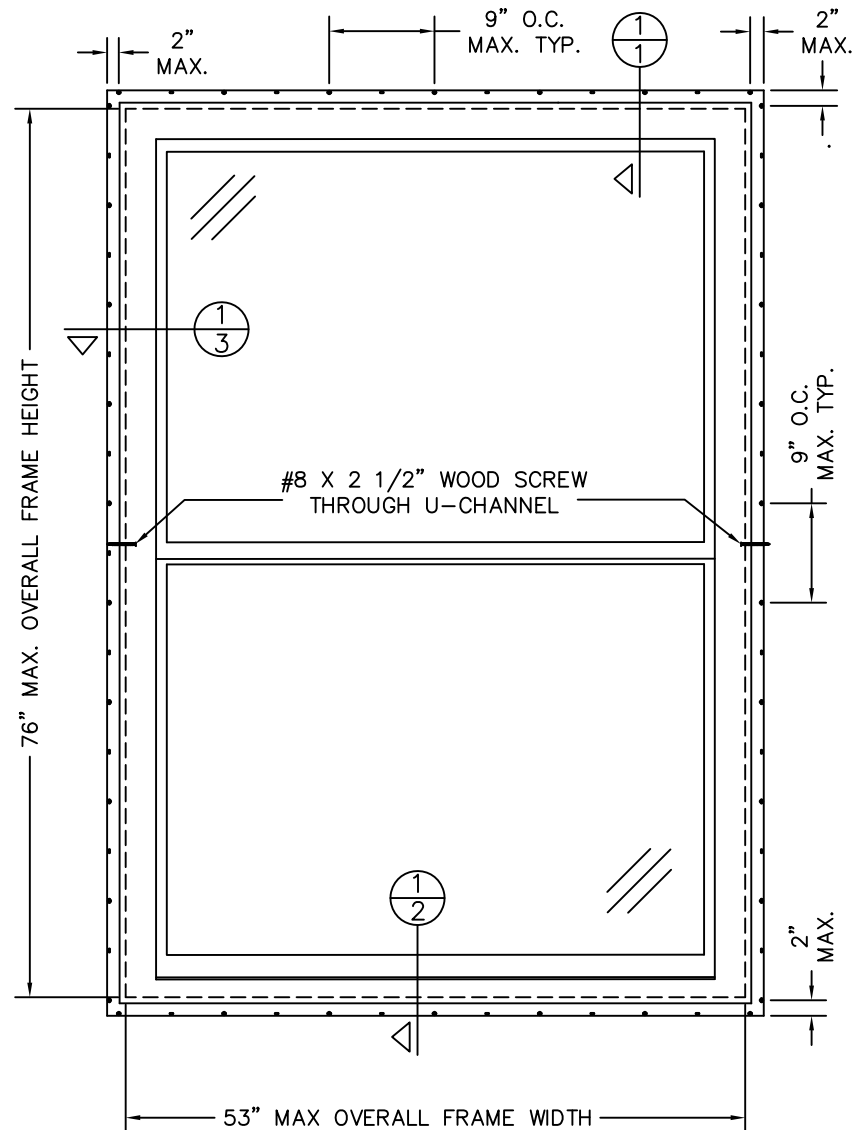


MODEL DESIGNATION: Simonton Double Hung Series 07-20 Vinyl Impact Window
MAXIMUM OVERALL NOMINAL SIZE: 53" x 76"
DESIGN PRESSURE RATING: Positive: 55.0 PSF
 Negative: 60.0 PSF
USABLE CONFIGURATIONS: X
 X
GENERAL DESCRIPTION: The head, sill, and side jambs are extruded PVC. The wall thickness through which the anchor screw penetrates is a minimum of 0.070".



NOTES:

1. This installation has been evaluated for use in locations adhering to the Florida Building Code and where design pressure requirements as determined by ASCE 7 Minimum Design Loads for Buildings and Other Structures do not exceed the design pressure ratings listed herein.
2. All interior and exterior perimeter surfaces of the window must be caulked.
3. Anchors shall be specified and spaced as shown. Anchor embedment into base material shall be beyond wall dressing or stucco and into wood or concrete.
4. Wood bucks (by others) must be engineered and anchored properly to transfer loads to the structure.
5. The responsibility for selection of Simonton products to meet any applicable local laws, building codes, ordinances, or other safety requirements rests solely with the architect, building owner, or contractor.
6. Shims are optional. Max. shim stack is 1/4".
7. Installation screws should be a minimum of 3/4" from the edge of the wood.
8. If 2" x 4" bucks are used, anchor screws may be inserted through the interior track. Anchor screws used in exterior balance track should be flush with the vinyl.
9. When used in areas requiring impact protection, this product DOES NOT REQUIRE the use of impact resistant shutters or other external protection.
10. Quantity of anchors attaching the jamb to the mullion will vary depending on the height of the unit. Distance between anchors must not exceed 12 inches on center.
11. Flashing should be applied using the ASTM E 2112 methodology appropriate for the opening into which the window is being installed.
12. Glazing shall comply with ASTM E 1300.
13. Use 100% pure silicone caulk compliant with AAMA 808 Section 5 - Sealant Specifications for use with Architectural Fenestration Products. Make sure surfaces are completely free from all old caulk, damaged wood, wood fibers, grease, oil dirt, rust, mold or similar contaminants. Vacuum and clean opening surfaces completely. A fully primed surface is recommended, but not required. Cleaning of all surfaces should be done the same day of which the silicone caulk is to applied. For more details visit Simonton.com.
14. Caulk application: recommended air and surface temperatures at the time of application are to be between 40 and 90 degrees F. Insure all contact surfaces are clean and dry including the new window(s). Use a backer rod on all joints >3/4" deep and/or wider than 1/4". Finished caulk joint should be a minimum of 3/8" deep and make full contact with both the new window and structural opening surfaces. Silicone caulk should be forced into joint or compressed to assure full contact on both surfaces and to expel any air pockets.

REV. #	REVISIONS:	REVISED BY:	DATE:

<p>DISCLOSURE STATEMENT This document is the property of Simonton Windows, which retains all proprietary and other rights to its subject matter. This document is provided to the recipient on the expressed condition that it is not to be disclosed, reproduced in whole or part, nor used in conjunction with the design, manufacture or repair of goods for anyone other than Simonton Windows without its consent. This restriction does not limit the recipient's rights to utilize information contained in this document which is properly obtained from another source.</p>	<p>MATERIAL:</p>		<p>Dimensional Tolerances Unless Otherwise Specified</p> <p>Decimals Angles</p> <p>.X ± .03 .XX ± .01 .XXX ± .005</p>	<p>SIMONTON WINDOWS 1 Cochrane Avenue Pennsboro, WV 26415</p>	<p>SIZE: B DRAWING NO.: IN0589 REV.: -</p>
	<p>RMS FINISH: EXCEPT AS NOTED</p>	<p>ALLOY & TEMPER:</p>			<p>DRAWN BY: LMH DATE: 10/16/17</p>
	<p>WEIGHT:</p>	<p>VOLUME:</p>			<p>CHECKED BY: DATE:</p>
	<p>SURFACE AREA:</p>	<p>PERIMETER:</p>			<p>APPR'VD BY: DATE:</p>
	<p>FINISH TREATMENT:</p>	<p>FILE: IN0589</p>			<p>SCALE: FIT SHEET: 1 of 1 SERIES: 07-20 IMPACT DOUBLE HUNG</p>
<p>TITLE: 2X BUCK INSTALLATION (AS TESTED)</p>				<p>TITLE: 07-20 IMPACT DOUBLE HUNG</p>	